

2.0 LNT Track Light System

CONTENTS

01

LNT Track Light System Products Feature

02

Parameter Display

03

Application

01

LNT Track Light System Products Feature

Products Feature①:

LEAVES LNT Track-DC48V

Wire+Track, Low-Voltage and Safe



Magnetic track in the market

Magnetic track: using large pieces of copper and exposed copper wires, there have a safety risk.



- Different with other copper wires, Ours is a fully-wrapped flexible wire, which not only looks **more beautiful**, but **also prevents short circuits caused by water splashing and unknown metals more safely and securely**, and is **not greatly affected by the increase in copper**.
- Different from the cumbersome power connection parts between magnetic tracks in the market, the flexible wire of Leaves runs through the whole track, which can be flexibly cut according to the site conditions at any time, **saving a lot of expensive energized connectors**.

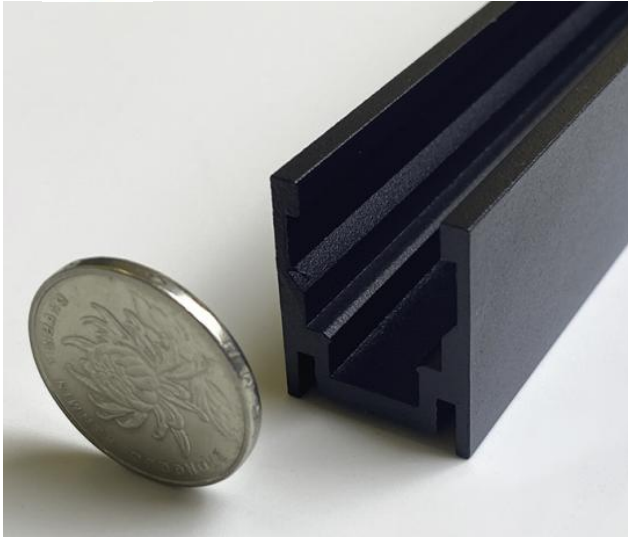


Products Feature②:

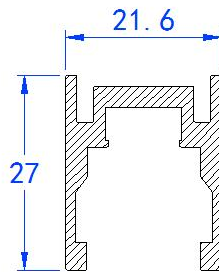
Leaves®

➤ LEAVES~More Elegant:

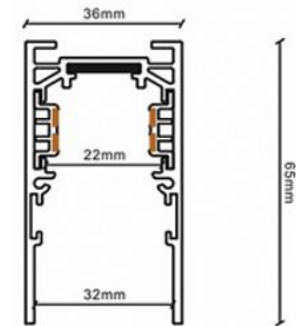
The smallest track **width is only 21.6MM**,and the **height is only 27MM**



Leaves®



Magnetic track in the market



Product Features③:

Leaves®

- Decorative function at the turn
- Without power-on function,save more cost



Item#: TS04

Vertical 90° Corner decorative cover/connecting parts (L-shaped)



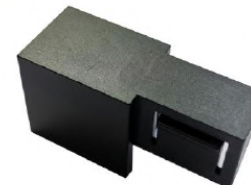
Item#:TS05

Flat 90° Corner decorative cover/connector (L type)



Item#: TS07

End plug for track/decorative cover



Item#: TS06

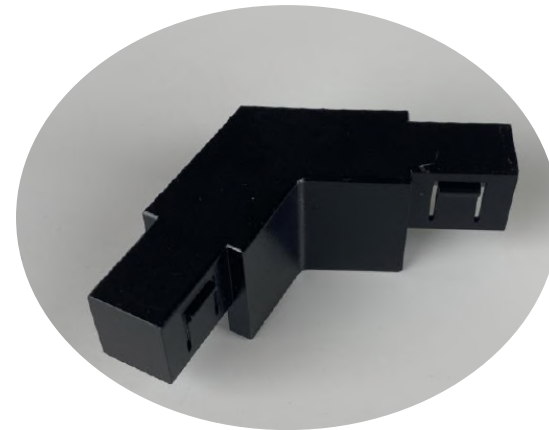
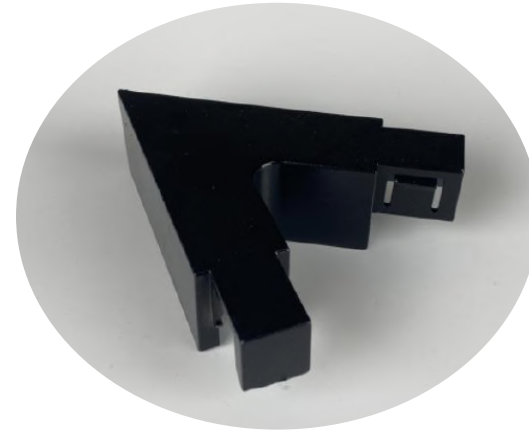
Decorative cover at the end of the track





Product Features④: **Leaves**[®]

- **Support to custom angles:**
Corner decorative cover at any angle





Product Features⑤: **Leaves**[®]

- Connect with other products (color bridge system) , just need one connector to add light at any place.



+





Product Features⑥:



- LEAVES LNT Track Light System(Just need wire+track+lamp),the unique and competitive advantage of the product can be effectively protected by the use of needle-stick technology and independent patent for invention.


 LIS009147946B1

(12) **United States Patent**
Wong

(10) Patent No.: **US 9,147,946 B1**
(45) Date of Patent: **Sep. 29, 2015**

(54) **ELECTRICAL CABLE CONNECTOR**

(71) Applicant: **Memic Mei Mei Wong, Hong Kong (CN)**

(72) Inventor: **Memic Mei Mei Wong, Hong Kong (CN)**

(*) Notice: Subject to any disclaimer, the term of this patent is extended or adjusted under 35 U.S.C. 154(b) by 0 days.

(21) Appl. No.: **14/291,388**

(22) Filed: **May 30, 2014**

(51) Int. Cl. **H01R 4/24** (2006.01)

(52) U.S. Cl. **H01R 4/2404** (2013.01)

(58) Field of Classification Search
CPC: H01R 4/2412; H01R 4/2433; H01R 23/025
USPC: 439/410, 402, 409, 403, 401, 418
See application file for complete search history.

(56) References Cited
U.S. PATENT DOCUMENTS

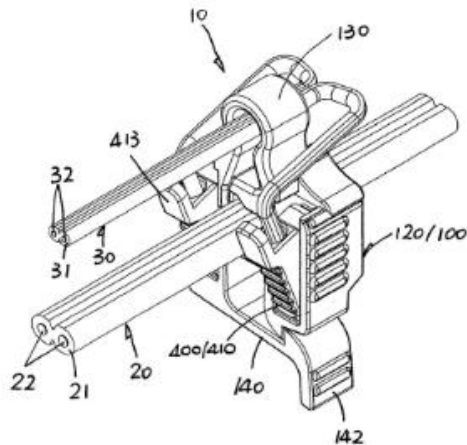
5,801,648 A	2/1997	Poon	
5,880,550 A *	3/1999	Achoe	430-417
5,975,238 A *	11/1999	LeRoy	426-410
6,159,833 A *	12/2000	Smith, III	426-391
6,364,650 B1	4/2002	Noben-Engelhorn	

* cited by examiner

Primary Examiner — Phuong Dinh
(74) Attorney, Agent or Firm — Leydig, Voit & Mayer, Ltd.

(57) **ABSTRACT**
An electrical cable connector has a body having first and second body members that are movable between open and closed positions of the body, and first and second conductors supported by the first and second body members, respectively. The two conductors have respective ends protruding from the respective body members. When the body members are moved to the closed position of the body, the ends of the conductors simultaneously cut through insulation and come into electrical connection with two cores of a first cable. A connecting element electrically connects the conductors to respective cores of a second electrical cable.

21 Claims, 20 Drawing Sheets



证书号第 10918408 号


实用新型专利证书

实用新型名称: 轨道灯用轨道连接器及灯具及轨道灯

发 明 人: 曾浩华; 袁华皓; 王达锦; 陈春鹏; 陈启胜

专 利 号: ZL 2019 2 1714036.0

专利申请日: 2019 年 10 月 12 日

专 利 权 人: 中山市叶子照明科技有限公司

地 址: 528478 广东省中山市横栏镇三沙工业区乐丰八路 18 号第 4 卡

授权公告日: 2020 年 07 月 07 日 授权公告号: CN 210951214 U

国家知识产权局依照中华人民共和国专利法经过初步审查, 决定授予专利权, 颁发实用新型专利证书并在专利登记簿上予以登记, 专利权自授权公告之日起生效, 专利期限为十年, 自申请日起算。

专利证书记载专利权登记时的法律状况, 专利权的转移、质押、无效、终止、恢复和专利权的姓名或名称、国籍、地址变更等事项记载在专利登记簿上。


 局长 **申长雨**
 申长雨


 2020 年 07 月 07 日

第 1 页 (共 2 页)

其他事项参见续页





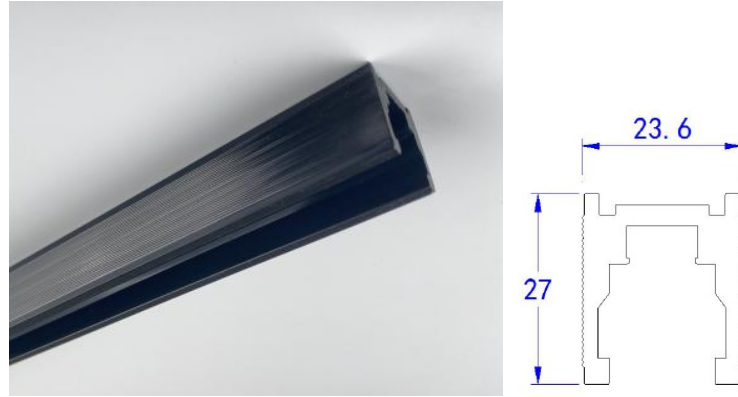
02

Parameter Display

Track Series: Surface mount/Recessed/Hanging



Track 1: Brimless Track:



Name: Brimless Track (Basic type)

Item: ZC-Track-1000-P
ZC-Track-1500-P
ZC-Track-2000-P

Size: L1000*W23.6*H27MM
L1500*W23.6*H27MM
L2000*W23.6*H27MM

Material: PVC

Installation way: Recessed or Ceiling



Name: Brimless Track (PRO type)

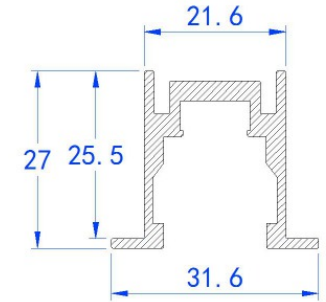
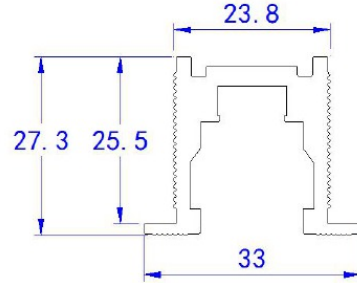
Item: ZC-Track-1000-A
ZC-Track-1500-A
ZC-Track-2000-A

Size: L1000*W21.6*H27MM
L1500*W21.6*H27MM
L2000*W21.6*H27MM

Material: Aluminum

Installation way: Recessed/Ceiling/Handing

Track 2: Recessed Track (With Brim)



Name: Recessed Track -With Brim(Basic type)

Item : ZC-DB-Track-1000-P
ZC-DB-Track-1500-P
ZC-DB-Track-2000-P

Size: L1000*W33/23.8*H27.3MM
L1500*W33/23.8*H27.3MM
L2000*W33/23.8*H27.3MM

Material: PVC

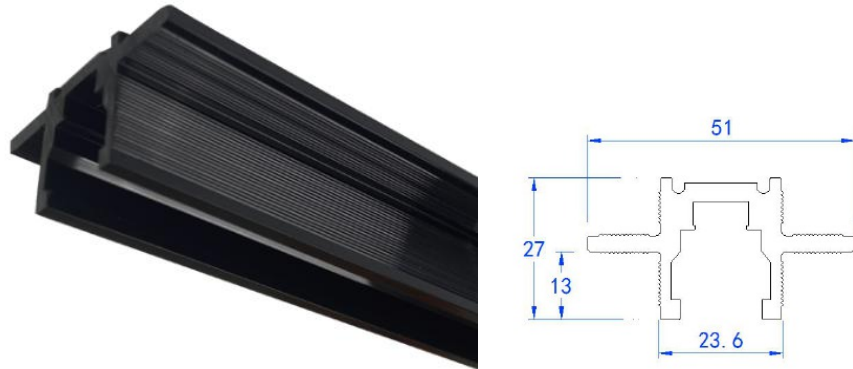
Name: Recessed Track -With Brim(PRO type)

Item: ZC-DB-Track-1000-A
ZC-DB-Track-1500-A
ZC-DB-Track-2000-A

Size: L1000*W31.6/21.6*H27MM
L1500*W31.6/21.6*H27MM
L2000*W31.6/21.6*H27MM

Material: Aluminum

Track 3: Embedded Concealed Track (Double-layer splint)

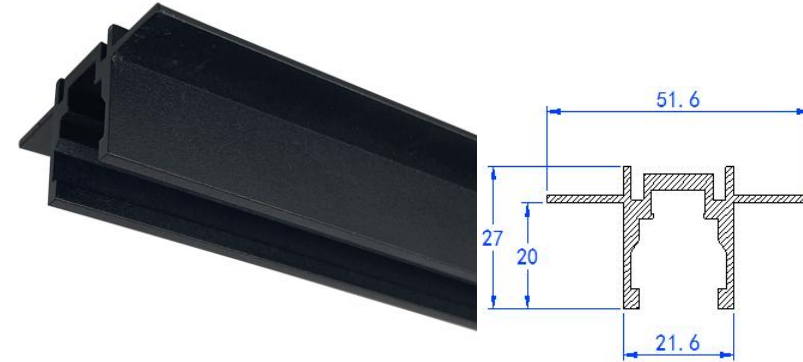


Name: Embedded Concealed Track-
Double-layer splint(Basic type)

Item: ZC-YM-Track-1000-P
ZC-YM-Track-1500-P
ZC-YM-Track-2000-P

Size: L1000*W51/23.6*H27/13MM
L1500*W51/23.6*H27/13MM
L2000*W51/23.6*H27/13MM

Material: PVC



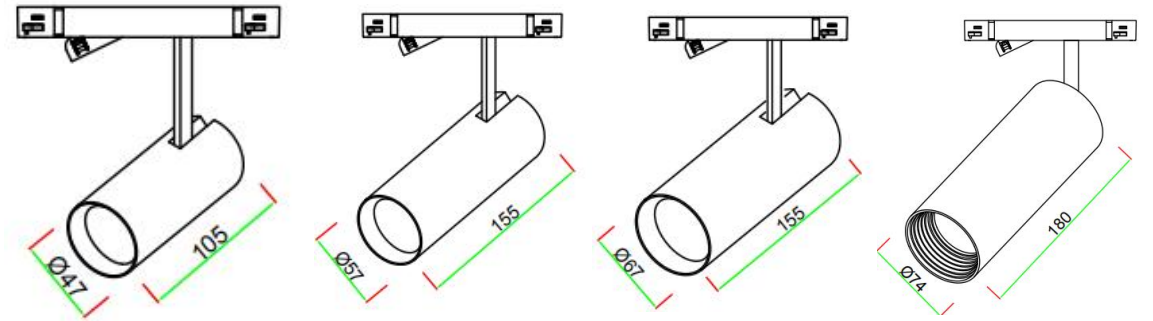
Name: Embedded Concealed Track-
Double-layer splint(PRO type)

Item: ZC-YM-Track-1000-A
ZC-YM-Track-1500-A
ZC-YM-Track-2000-A

Size: L1000*W51.6/21.6*H27MM
L1500*W51.6/21.6*H27MM
L2000*W51.6/21.6*H27MM

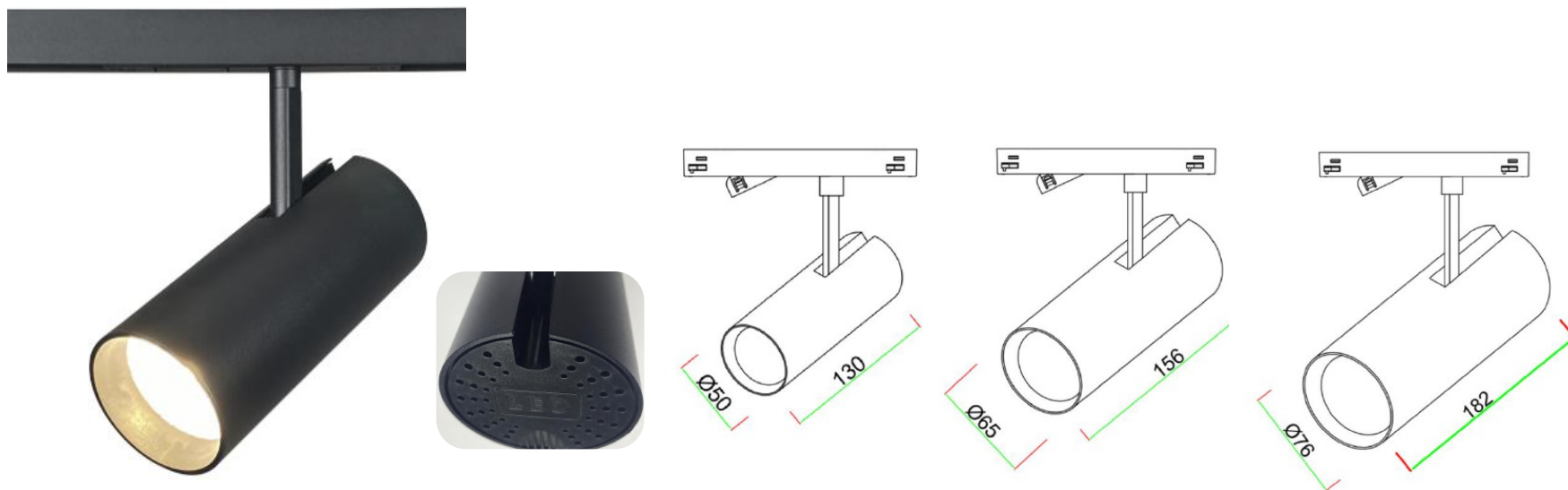
Material: Aluminum

Spot Light(00 Series)



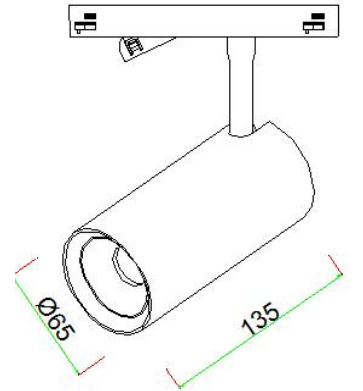
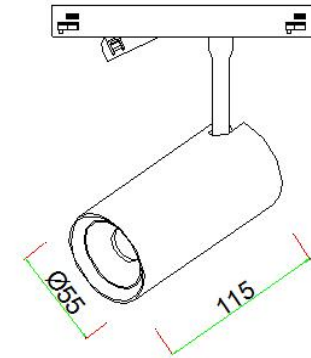
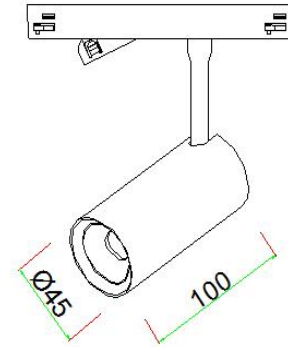
Item No.	Power	Beam angle	CRI	CCT	Output Voltage	Color	IP	Fixture size
ZC-SP-002-12W	12W	15°/24°/36°	Ra≥90	3000K/3500K/ 4000K/5000K	48V	Black	IP20	D47*105mm
ZC-SP-003-18W	18W	15°/24°/36°	Ra≥90	3000K/3500K/ 4000K/5000K	48V	Black	IP20	D57*155mm
ZC-SP-004-24W	24W	15°/24°/36°	Ra≥90	3000K/3500K/ 4000K/5000K	48V	Black	IP20	D67*155mm
ZC-SP-005-30W	30W	15°/24°/36°	Ra≥90	3000K/3500K/ 4000K/5000K	48V	Black	IP20	D74*180mm

Spot Light(01 Series)



Item No.	Power	Beam angle	CRI	CCT	Output Voltage	Color	IP	Fixture size
ZC-SP-011-12W	12W	15°/24°/36°	Ra≥90	3000K/3500K/ 4000K/5000K	48V	Black	IP20	D50*130mm
ZC-SP-012-18W	18W	15°/24°/36°	Ra≥90	3000K/3500K/ 4000K/5000K	48V	Black	IP20	D65*156mm
ZC-SP-013-24W	24W	15°/24°/36°	Ra≥90	3000K/3500K/ 4000K/5000K	48V	Black	IP20	D76*182mm

Spot Light(02 Series)



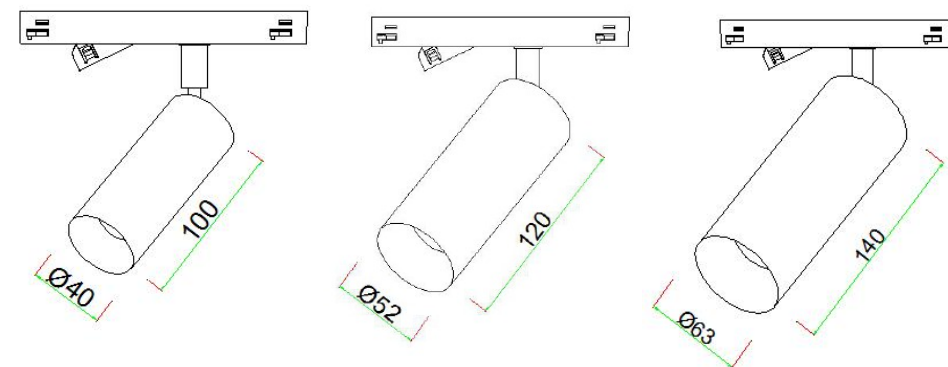
Item No.	Power	Beam angle	CRI	CCT	Output Voltage	Color	IP	Fixture size
ZC -SP-021-7W	7W	15°/24°/36°	Ra≥90	3000K/3500K/ 4000K/5000K	48V	Black	IP20	D45*100mm
ZC -SP-022-12W	12W	15°/24°/36°	Ra≥90	3000K/3500K/ 4000K/5000K	48V	Black	IP20	D55*115mm
ZC -SP-023-18W	18W	15°/24°/36°	Ra≥90	3000K/3500K/ 4000K/5000K	48V	Black	IP20	D65*135mm

Spot Light(03/04 Series)



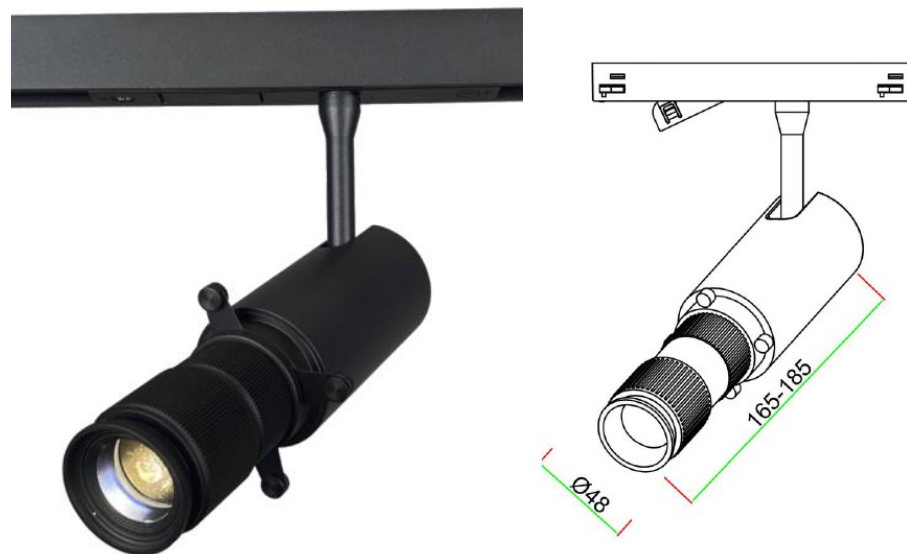
Item No.	Power	Beam angle	CRI	CCT	Output Voltage	Color	IP	Fixture size
ZC-SP-032-10W	10W	Adjustable 10°-55°	Ra≥90	3000K/3500K/ 4000K/5000K	48V	Black	IP20	D55*115mm
ZC-SP-033-18W	18W	Adjustable 10°-55°	Ra≥90	3000K/3500K/ 4000K/5000K	48V	Black	IP20	D65*135mm
ZC-SP-042-6W	6W	12°/24°/38°	Ra≥90	3000K/3500K/ 4000K/5000K	48V	Black	IP20	D40*95mm

Spot Light(06 Series)



Item No.	Power	Beam angle	CRI	CCT	Output Voltage	Color	IP	Fixture size
ZC-SP-062-6W	6W	Adjustable 10°-55°	Ra≥90	3000K/3500K/ 4000K/5000K	48V	Black	IP20	D40*100mm
ZC-SP-063-12W	12W	Adjustable 10°-55°	Ra≥90	3000K/3500K/ 4000K/5000K	48V	Black	IP20	D52*120mm
ZC-SP-064-18W	18W	12°/24°/38°	Ra≥90	3000K/3500K/ 4000K/5000K	48V	Black	IP20	D63*140mm

Spot Light(048 Series)



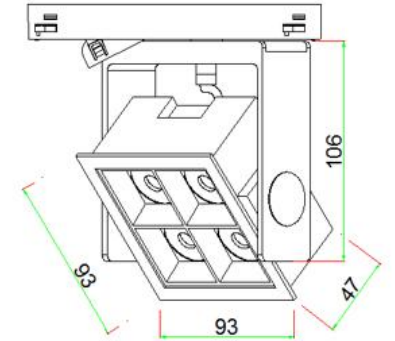
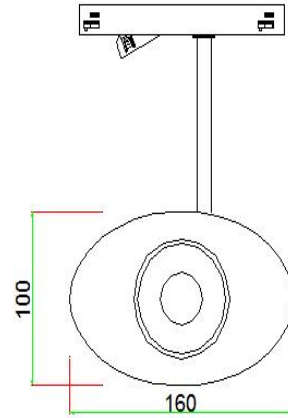
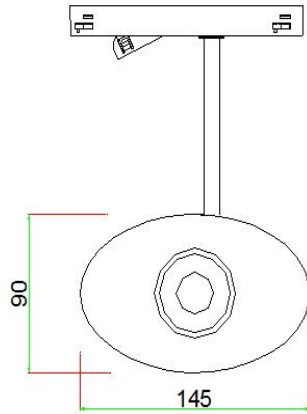
Item No.	Power	Beam angle	CRI	CCT	Output Voltage	Color	IP	Fixture size
ZC-CG-048-12W	12W	Adjustable 19.5°-34°	Ra \geq 90	3000K/3500K/ 4000K/5000K	48V	Black	IP20	D48*185m m

Spot Light



Item No.	Power	Beam angle	CRI	CCT	Output Voltage	Color	IP	Fixture size
ZC-HM-F075-8W	8W	24°/38°	Ra≥90	3000K/3500K/ 4000K/5000K	48V	Black	IP20	D75*32mm
ZC-HM-F105-18W	18W	24°/38°	Ra≥90	3000K/3500K/ 4000K/5000K	48V	Black	IP20	D105*32mm
ZC-HM-Y075-10W	10W	24°/50°	Ra≥90	3000K/3500K/ 4000K/5000K	48V	Black	IP20	D75*35mm
ZC-HM-Y105-18W	18W	24°/50°	Ra≥90	3000K/3500K/ 4000K/5000K	48V	Black	IP20	D105*35mm

Spot Light



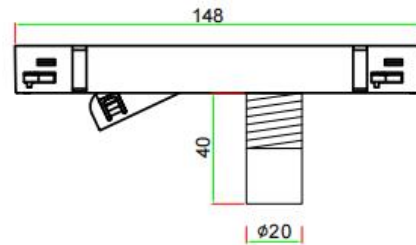
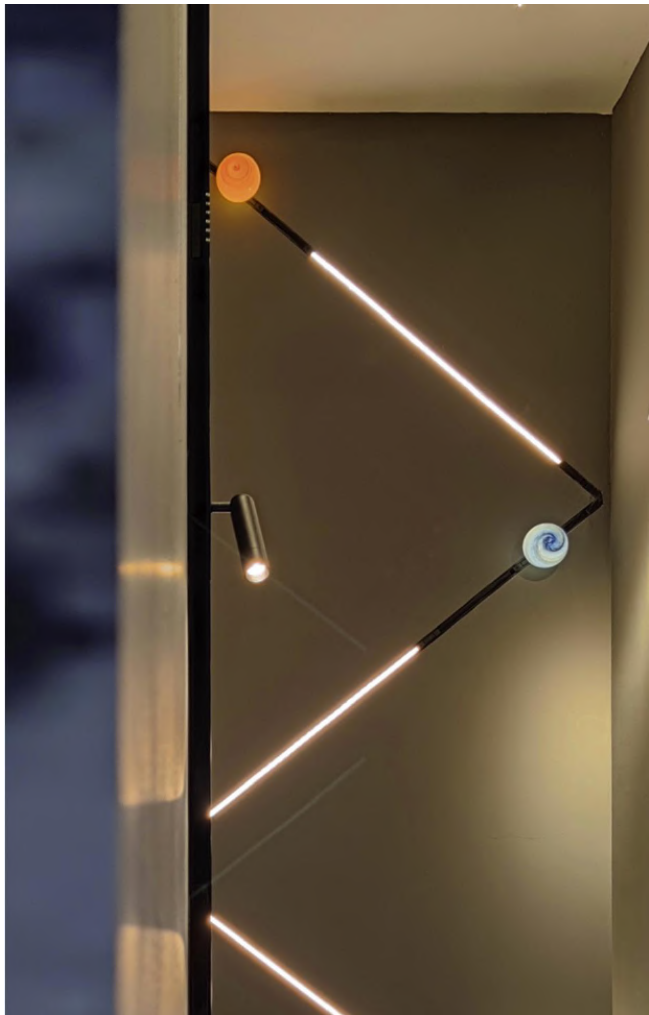
Item No.	Power	Beam angle	CRI	CCT	Output Voltage	Color	IP	Fixture size
ZC-SPFD-90-12W	12W	20°/30°	Ra≥90	3000K/3500K/ 4000K/5000K	48V	Black	IP20	145*90mm
ZC-SPFD-100-18W	18W	20°/30°	Ra≥90	3000K/3500K/ 4000K/5000K	48V	Black	IP20	160*100mm
ZC-HM-F093-18W	18W	15°/24°/38°/60°	Ra≥90	3000K/3500K/ 4000K/5000K	48V	Black	IP20	93*93*47mm

Spot Light



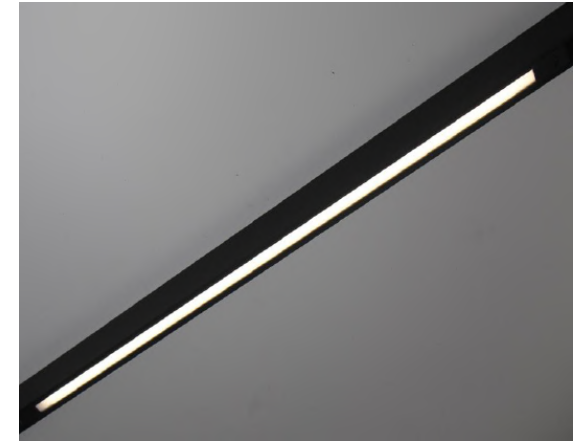
Item No.	Power	Beam angle	CRI	CCT	Output Voltage	Color	IP	Fixture size
ZC-SP-69C-6W	6W	24°	Ra≥90	3000K/3500K/ 4000K/5000K	48V	Black+White	IP20	110*100mm
ZC-SP-92C-9W	9W	15°/24°	Ra≥90	3000K/3500K/ 4000K/5000K	48V	Black+White	IP20	D71*50mm
ZC-YQ100S-12W	12W	15°/24°	Ra≥90	3000K/3500K/ 4000K/5000K	48V	Black	IP20	D94*34mm

Ceiling Light/Wall Lamp



Item No.	Power	Beam angle	CRI	CCT	Output Voltage	Color	IP	Fixture size
ZC-B-3W (G005)	3W	180°	Ra≥90	3000K/3500K/ 4000K/5000K	48V	Black	IP20	Glass D100mm
ZC-B-3W	3W	180°	Ra≥90	3000K/3500K/ 4000K/5000K	48V	Black	IP20	D20*40mm
ZC-YQ100Q-6W	6W	220°	Ra≥90	3000K/3500K/ 4000K/5000K	48V	Black	IP20	φ100mm

Flood Light



Item No.	Power	Beam angle	CRI	CCT	Output Voltage	Color	IP	Fixture size
ZC-M-300-8W	8W	100°	Ra≥90	3000K/3500K/ 4000K/5000K	48V	Black	IP20	L410*W15*H17mm
ZC-M-600-16W	16W	100°	Ra≥90	3000K/3500K/ 4000K/5000K	48V	Black	IP20	L710*W15*H17mm
ZC-M-900-24W	24W	100°	Ra≥90	3000K/3500K/ 4000K/5000K	48V	Black	IP20	L1010*W15*H17mm

Grille light



Item No.	Power	Beam angle	CRI	CCT	Output Voltage	Color	IP	Fixture size
ZC-D-300-8W	8W	15°/30°/45°	Ra≥90	3000K/3500K/ 4000K/5000K	48V	Black	IP20	L410*W15*H17mm
ZC-D-600-16W	16W	15°/30°/45°	Ra≥90	3000K/3500K/ 4000K/5000K	48V	Black	IP20	L710*W15*H17mm
ZC-D-900-24W	24W	15°/30°/45°	Ra≥90	3000K/3500K/ 4000K/5000K	48V	Black	IP20	L1010*W15*H17mm

Folding Grille Spot/Food Light



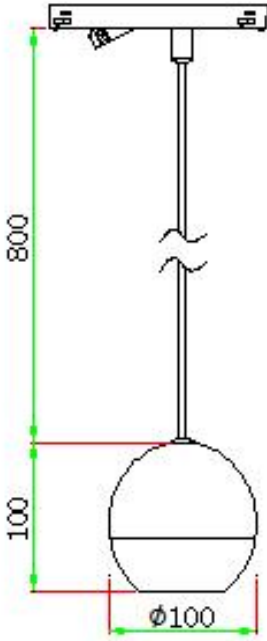
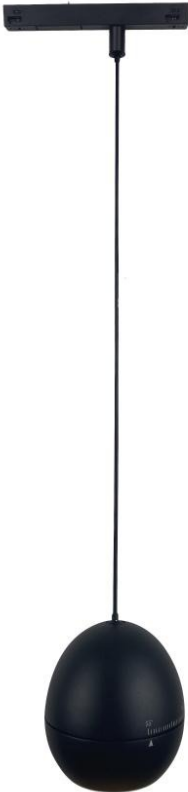
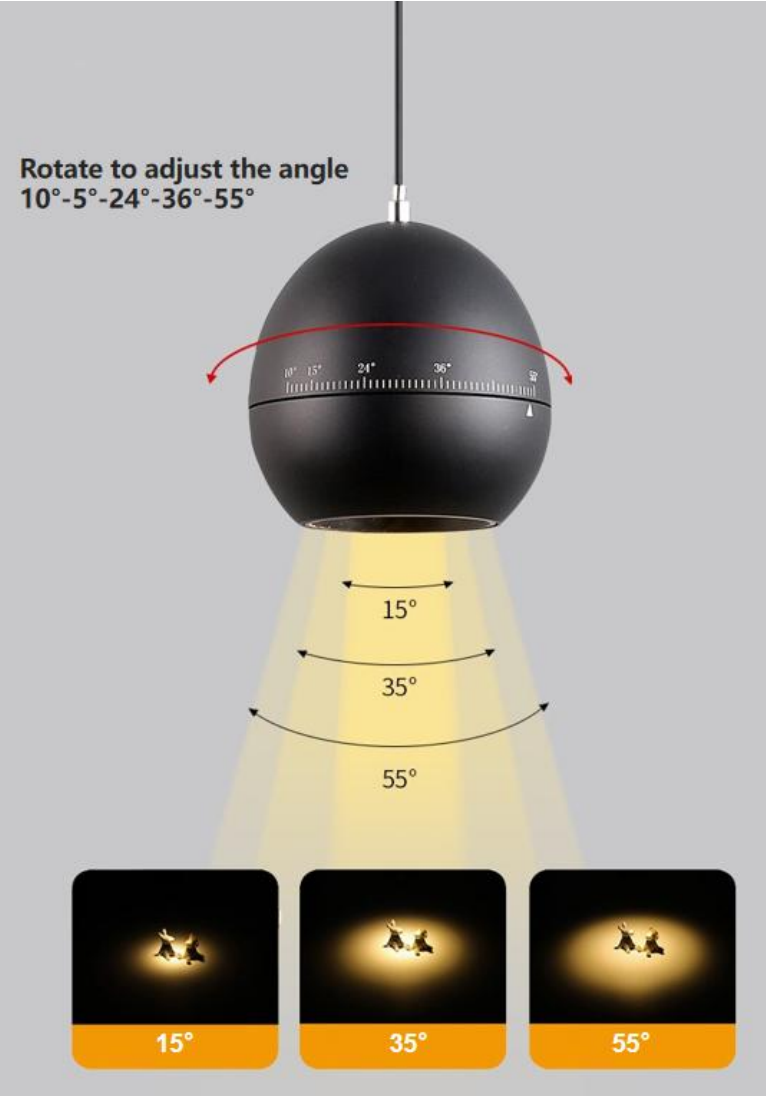
Item No.	Power	Beam angle	CRI	CCT	Output Voltage	Color	IP	Fixture size
ZC-BXQD-21-6W	6W	24°	Ra≥90	3000K/3500K/ 4000K/5000K	48V	Black	IP20	L112*W23*H87mm
ZC-BXQD-22-12W	12W	24°	Ra≥90	3000K/3500K/ 4000K/5000K	48V	Black	IP20	L220*W23*H87mm
ZC-BXQM-11-6W	6W	100°	Ra≥90	3000K/3500K/ 4000K/5000K	48V	Black	IP20	L118*W23*H87mm
ZC-BXQM-12-12W	12W	100°	Ra≥90	3000K/3500K/ 4000K/5000K	48V	Black	IP20	L231*W23*H87mm

Pendant Light Series



Item No.	Power	Beam angle	CRI	CCT	Output Voltage	Color	IP	Fixture size
ZC-CD-01-5W	5W	24°	Ra≥90	3000K/3500K/ 4000K/5000K	48V	Black	IP20	Dia40*203mm
ZC-CD-02S-6W	6W	24°/36°	Ra≥90	3000K/3500K/ 4000K/5000K	48V	Black	IP20	φ84*75mm
ZC-CD-03-6W	6W	24°/36°	Ra≥90	3000K/3500K/ 4000K/5000K	48V	Black	IP20	φ85*75mm

Pendant Light Series

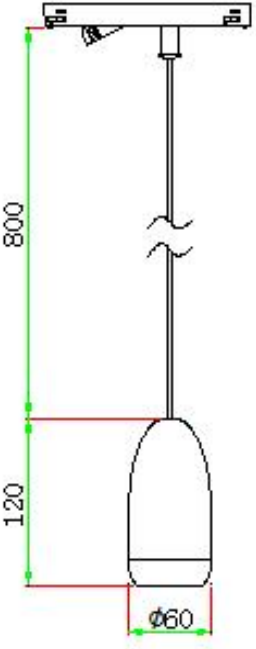
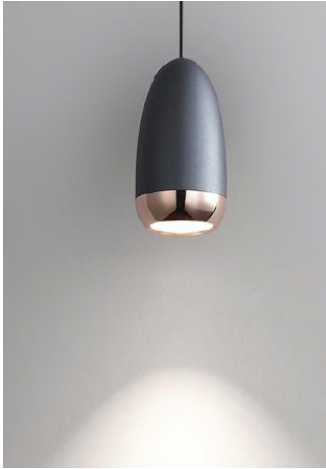
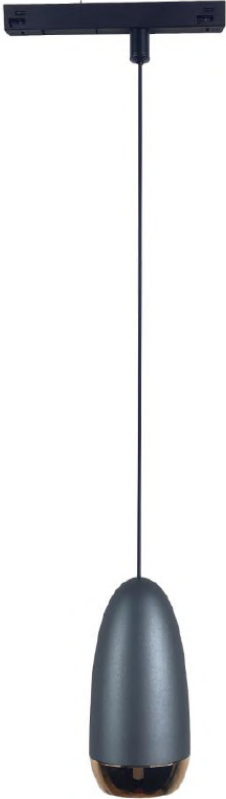


Item No.	Power	Beam angle	CRI	CCT	Output Voltage	Color	IP	Fixture size
ZC-CD-07-12W	12W	Adjustable 10°-55°	Ra≥90	3000K/3500K/4000K/5000K	48V	Black	IP20	D100*100mm

Pendant Light Series

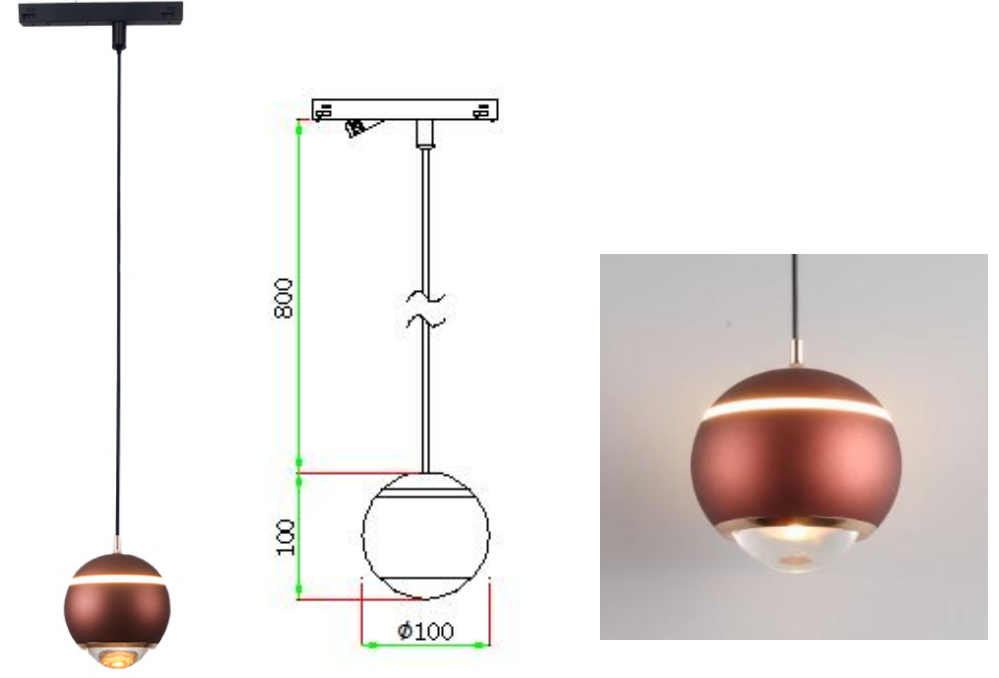
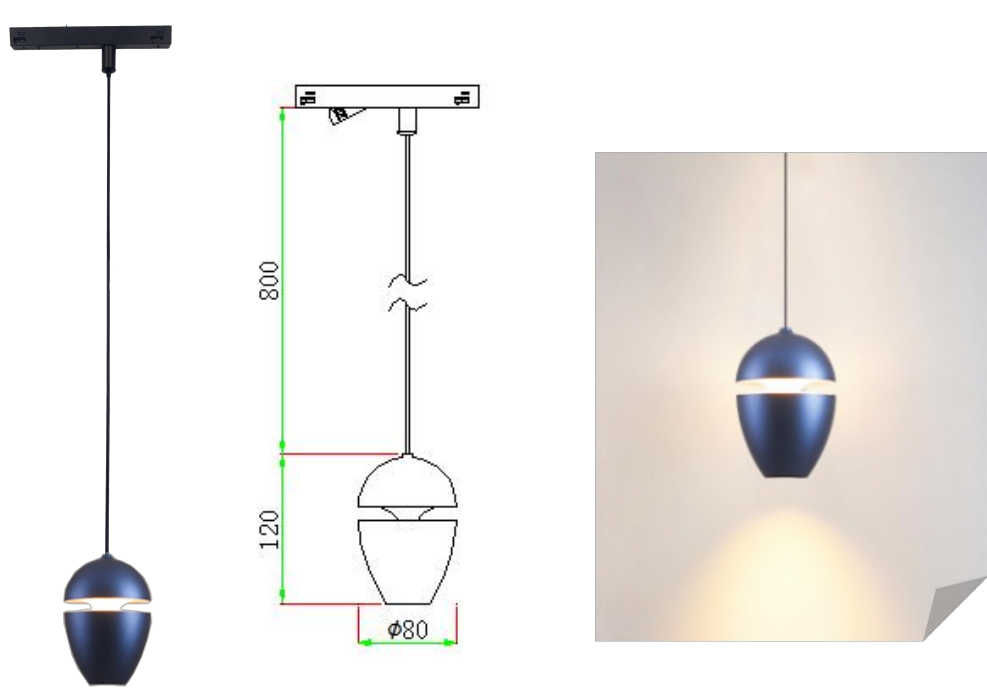


ZC-CD-05-6W



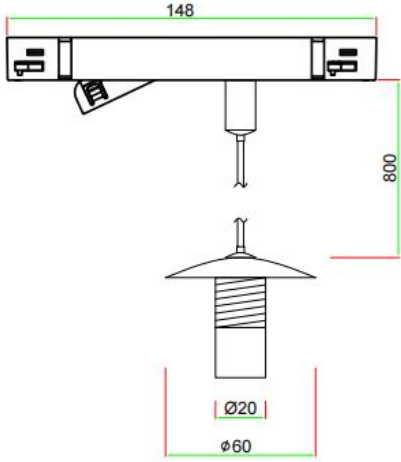
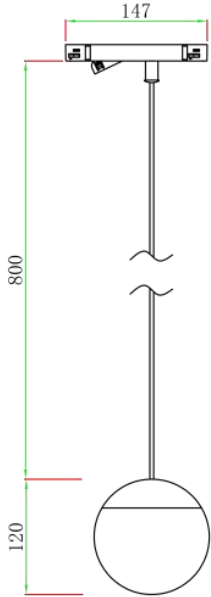
Item No.	Power	Beam angle	CRI	CCT	Output Voltage	Color	IP	Fixture size
ZC-CD-05-6W	6W	24°	Ra≥90	3000K/3500K/ 4000K/5000K	48V	Gray+ Black	IP20	D60*120mm

Pendant Light Series



Item No.	Power	Beam angle	CRI	CCT	Output Voltage	Color	IP	Fixture size
C-CD-04-6W	6W	45°	Ra≥90	3000K/3500K/4000K/5000K	48V	Blue+Black	IP20	D80*120mm
ZC-CD-06-6W	6W	50°	Ra≥90	3000K/3500K/4000K/5000K	48V	Gold+Black	IP20	D100*100mm

Pendant Light Series

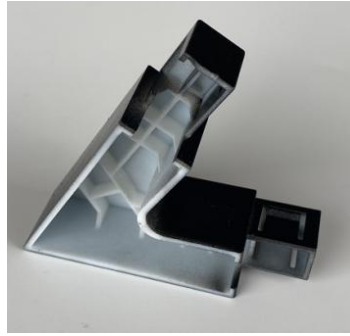


Item No.	Power	Beam angle	CRI	CCT	Output Voltage	Color	IP	Fixture size
C-BD-3W (G041)	3W	180°	Ra≥90	3000K/3500K/4000K/5000K	48V	Black	IP20	D60*53mm
ZC-BD-3W	3W	180°	Ra≥90	3000K/3500K/4000K/5000K	48V	Black	IP20	Dia60*53mm

Accessories Series



Decorative cover between track and track
(flat corner 90°/ facade corner 90°)



**Special angle,
Special shape,
Support customization**



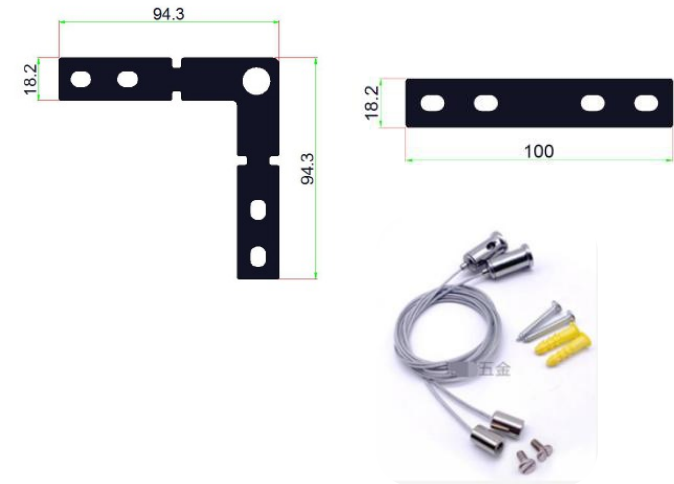
Decorative cover for power plug



Spare Wires



Driver Box



Accessories for hanging track

03

Application

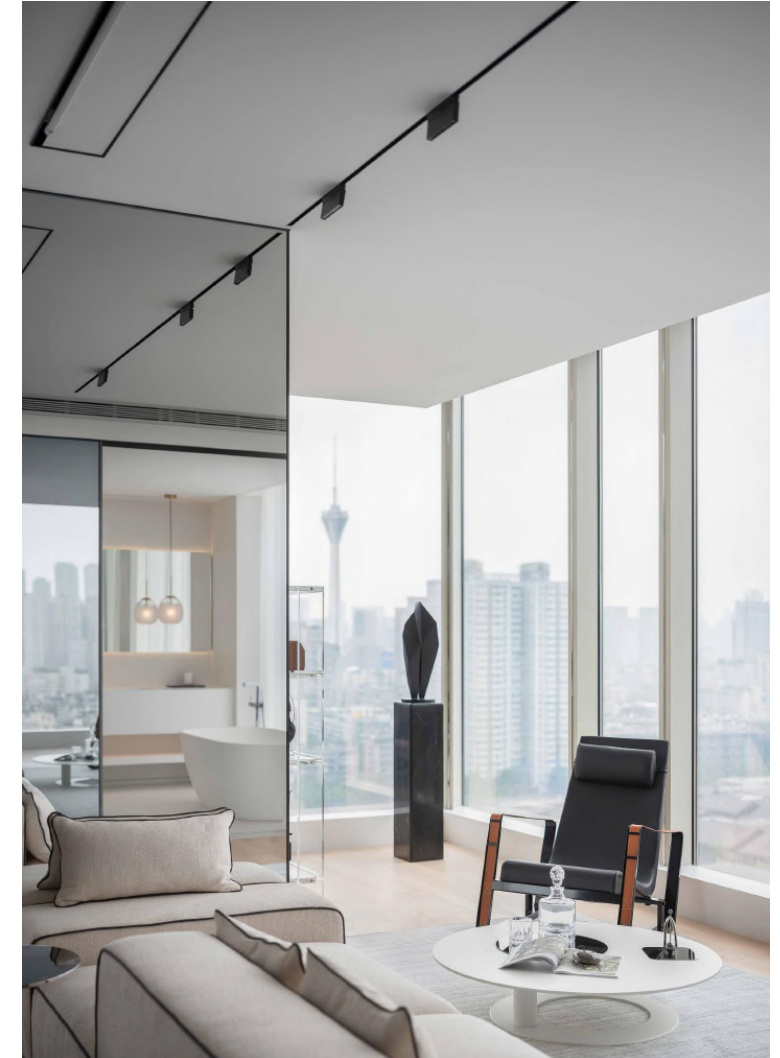
Application-Home Space



Application-Brand Store



Application-Theme Restaurant / High-End Showroom



Case-Furniture Chain Store



WHY AM I



LEAVES Lighting Technology Co., Ltd. is a new brand under the World Of Lights Group.

It was founded in 2002 and has been focusing on product development and sales in the overseas lighting market for 20 years.

The company has a high sensitivity and professional development ability for cutting-edge lighting products.

In 2023, LEAVES was established to promote the "Flexible Track Lighting System", allowing Chinese people to use their own patented products to create a more artistic lighting space.

The LEAVES brand is dedicated to the deep application and research and development of the "Flexible Track Lighting System" category, with high-educated talents, providing guarantees for customer operations.

THANK YOU !

LEAVES Lighting Technology Co. Ltd